

# GLP 80-12

## Compliance with standards

PN-EN 60896-21:2007  
 PN-EN 60896-22:2007  
 PN-EN 61056-1:2008  
 PN-EN 61056-2:2003(U)  
 PN-E-83016:1999



The **GLOBAL LEADER POWER** VRLA AGM battery series are designed to work in emergency power supply or other cyclic applications. The preferred uses for these are automation systems, mobile power source, engine power sources etc. For 50% deep cycle, up to 400 charge-discharge cycles can be achieved.

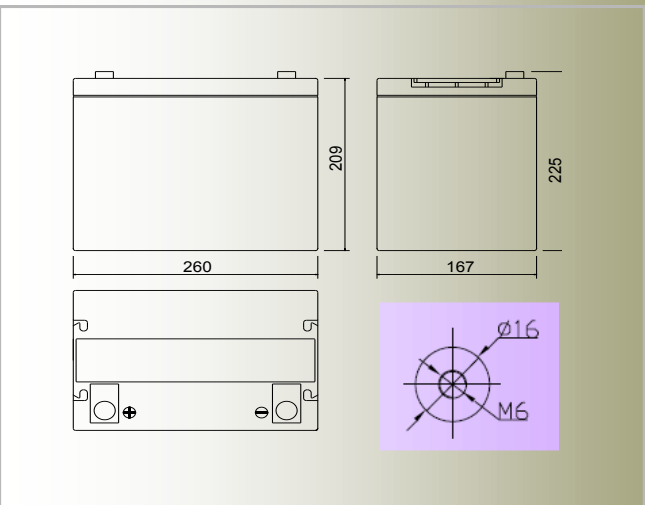
Designed lifetime is 8~10 years in 20-25°C working conditions (according to EUROBAT).



### Specification

Nominal voltage	12V	
Nominal capacity	80.0 Ah	
Dimensions	Length	260 mm
	Width	167 mm
Case material ABS/(UL94-HB) UL94-V0 optional	Height	209 mm
	Total height	225 mm
	Weight	22.5 kg

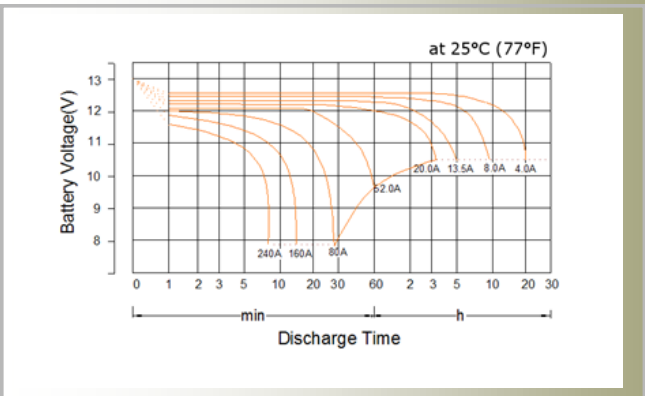
### Dimensions



### Characteristic

Capacity at 25°C and 10.0V cut off voltage	20h	80.0 Ah
	5h	68.0 Ah
	1h	52.0 Ah
Internal resistance	Fully charged	8.0 mΩ
Capacity	for 20°C	100%
	for 0°C	85%
	for -15°C	65%
Self discharge	3 months	91%
	6 months	82%
	12 months	64%
Terminal	M6	
Charging	Buffer	13.50-13.80V
	Cyclical	14.40-15.00V
Max. charging current	24 A	
Max. discharge current	500 A (5 sec.)	

### Discharge characteristic at 25 °C



Working temperature:  
 Discharging: -20°C ÷ 50°C  
 Charging: -10°C ÷ 50°C  
 Storing: -20°C ÷ 50°C



# GLP 80-12

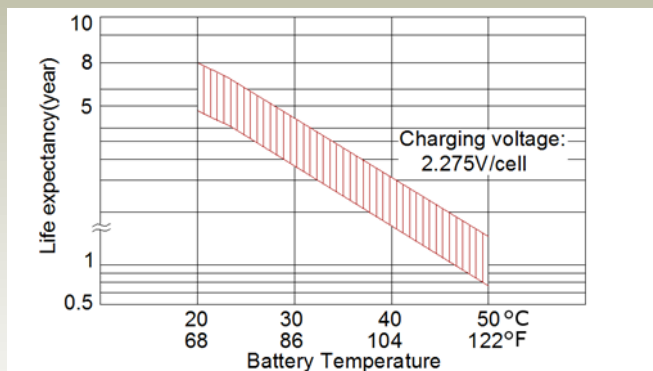
## 12V 80Ah

### Zgodność z normami

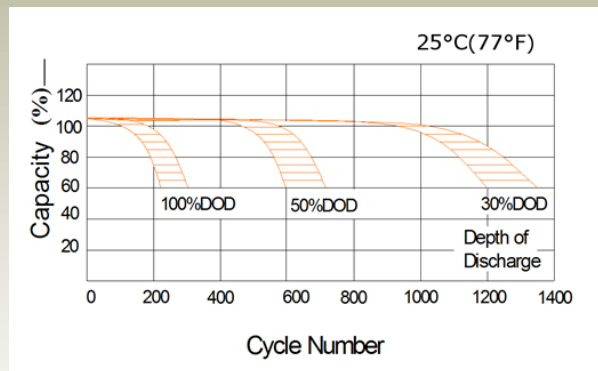
PN-EN 60896-21:2007  
 PN-EN 60896-22:2007  
 PN-EN 61056-1:2008  
 PN-EN 61056-2:2003(U)  
 PN-E-83016:1999



Battery life for buffer work



Battery life for cyclic work



### Constant current discharge characteristics (A, 25°C)

F.V/Time	5min	10min	15min	30min	45min	1h	2h	3h	5h	8h	10h	20h
1.60V	263	210	150	86.3	61.5	48.8	26.3	19.0	12.9	8.48	7.05	3.83
1.65V	255	203	143	84.8	60.8	48.4	26.0	18.9	12.8	8.48	7.05	3.83
1.70V	240	188	135	82.5	60.0	48.0	25.9	18.8	12.8	8.40	6.98	3.75
1.75V	210	158	128	78.0	59.3	47.3	25.5	18.5	12.8	8.33	6.98	3.75
1.80V	188	135	120	67.5	58.5	46.5	24.8	18.0	12.6	8.33	6.83	3.68

### Constant power discharge characteristics (Watt, 25°C)

F.V/Time	5min	10min	15min	30min	45min	1h	2h	3h	5h	8h	10h	20h
1.60V	478	383	276	167	117	93.8	50.4	36.6	24.9	16.4	13.7	7.50
1.65V	458	368	261	161	116	92.3	50.1	36.4	24.8	16.4	13.7	7.50
1.70V	437	346	249	154	114	92.3	49.7	36.2	24.6	16.4	13.7	7.43
1.75V	383	292	235	145	113	90.8	49.0	35.8	24.6	16.1	13.5	7.28
1.80V	341	263	221	125	111	89.3	47.5	34.7	24.4	16.1	13.3	7.13